

# INSTALLATION AND USER MANUAL

---

## THE ZENTAI SUSPENDED FIRE

Bioethanol



*We would like to thank you for your purchase of an Aurora Suspended Fire. The care and craftsmanship we put into each fire will give you trouble free heating for many years to come. 🔥*

# CONTENTS

---

## **1. PLANNING**

INTRODUCTION	4
CLEARANCE TO COMBUSTIBLES	5

## **2. DIMENSIONS & SPECIFICATIONS**

FEATURES, WEIGHTS AND DIMENSIONS	7
----------------------------------	---

## **3. INSTALLATION**

SUSPENSION BRACKET	10
LOWER FLUE	12
HOOD	14
FIREBOX	15
BIOETHANOL FIREPLACE	15
FOR INSTALLERS	16
INSTALLATION CHECKLIST	17

# 1. PLANNING



Aurora

# INTRODUCTION


---

For your safety, ensure you have read the operation guidelines prior to use. Your fire must be installed by a qualified professional. Refer to our website for assistance finding an installer in your area:

[aurorasuspendedfires.com/planning-customer-support/faq/](http://aurorasuspendedfires.com/planning-customer-support/faq/)

## INSTALLATION PROCESS

1. Choose the position of firebox and flue ensuring that you follow the clearances described within this section.
2. Install the suspension bracket
3. Install the lower flue
4. Install the hood
5. Fix the base to the floor
6. Insert the burner and glass fire screen

 *Mixing of appliance or flue-system components from different sources or modifying the dimensional specification of components may result in hazardous conditions. Where such action is considered, Aurora fires should be consulted in the first instance.*

# CLEARANCE TO COMBUSTIBLES

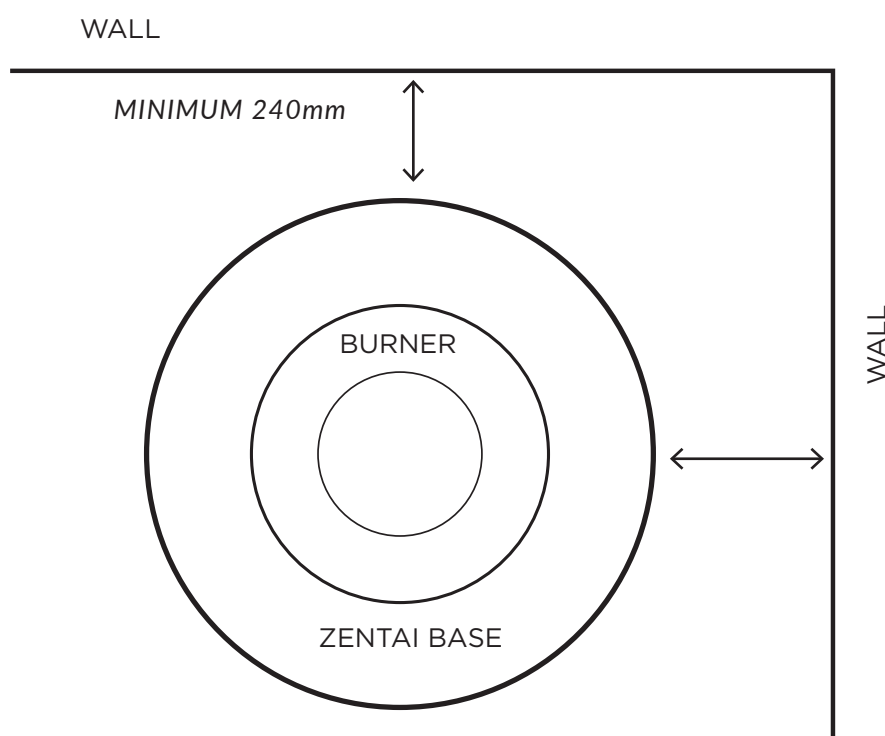
---

A combustible surface is anything that can burn (i.e. plaster, wall paper, wood, fabrics etc.) These surfaces are not limited to those that are visible, but also include materials that are behind non-combustible material. Timber frames behind gyprock are considered combustible.

## IMPORTANT

Window frames must also be considered. Timber window frames must be treated as combustible surfaces. Aluminium frames can be treated as non-combustible

The base or hood must be a minimum of 240mm away from combustible or 100mm from non-combustible materials.

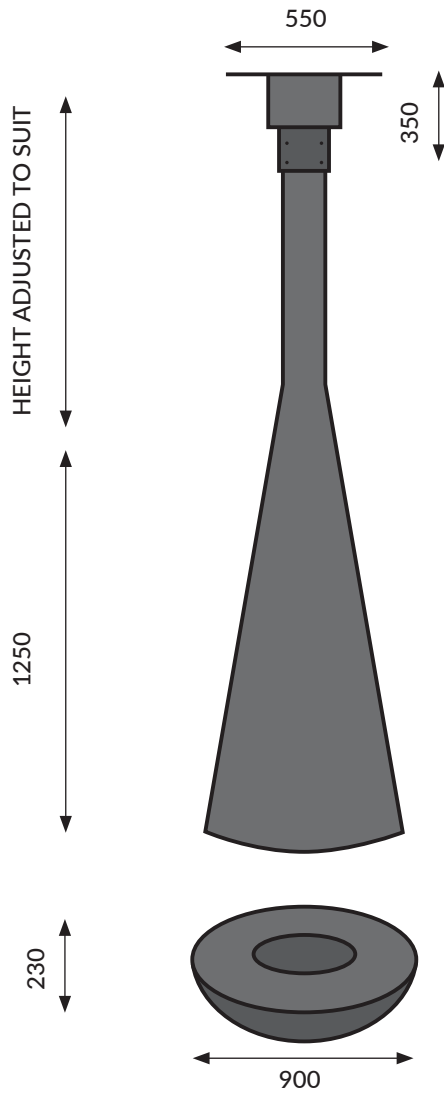


# 2. DIMENSIONS & SPECIFICATIONS



Aurora

# THE ZENTAI

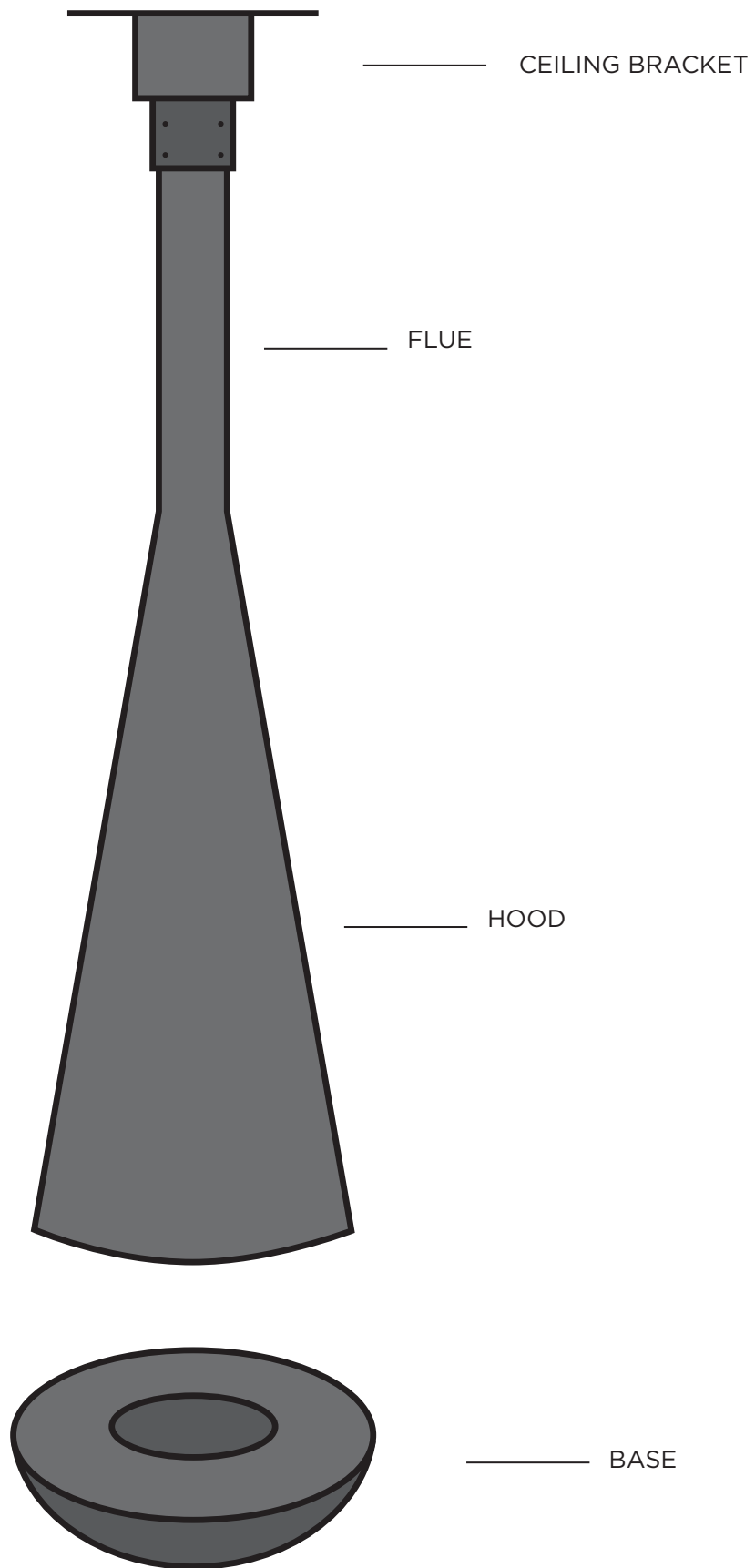


## FEATURES

- Material: 3mm Steel
- Finish: high temperature coating system
- Heat Output: 5.99kW
- Colour: matte black  
(A range of other colours are available on request. For more information visit our website.)

## WEIGHT & DIMENSIONS

Base Diameter	900mm
Hood Height	1250mm
Base Weight	37kg
Hood Weight	55kg
Flue weight	15kg/m





# 3. INSTALLATION



Aurora

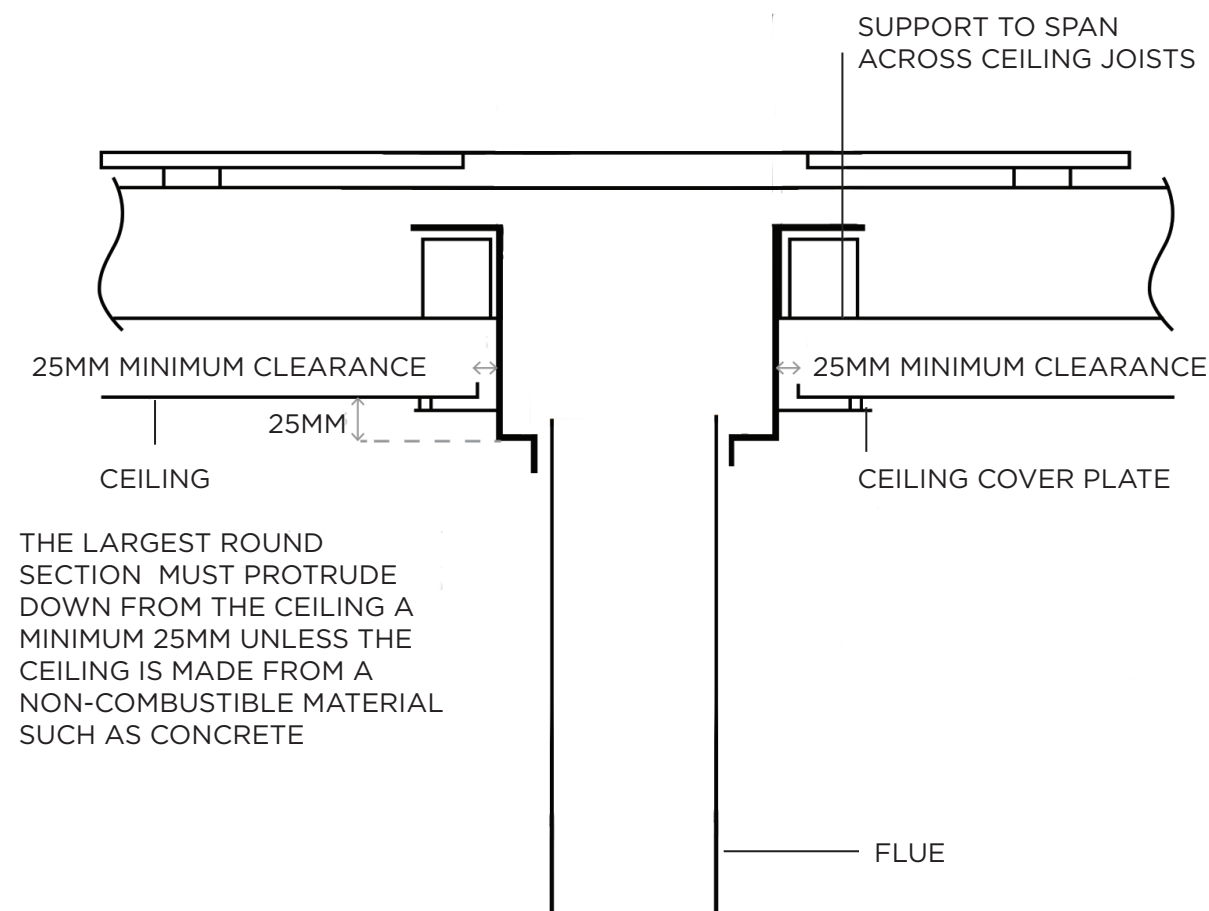
# SUSPENSION BRACKET

## FLAT CEILING INSTALLATION:

The bracket must be structurally secured within the roof, as shown on the diagram.

The large round body of the ceiling bracket must protrude down through the finished ceiling level by a minimum of 25mm.

You must leave a 25mm clearance gap between the bracket and the ceiling. The gap will be covered by the ceiling cover plate.



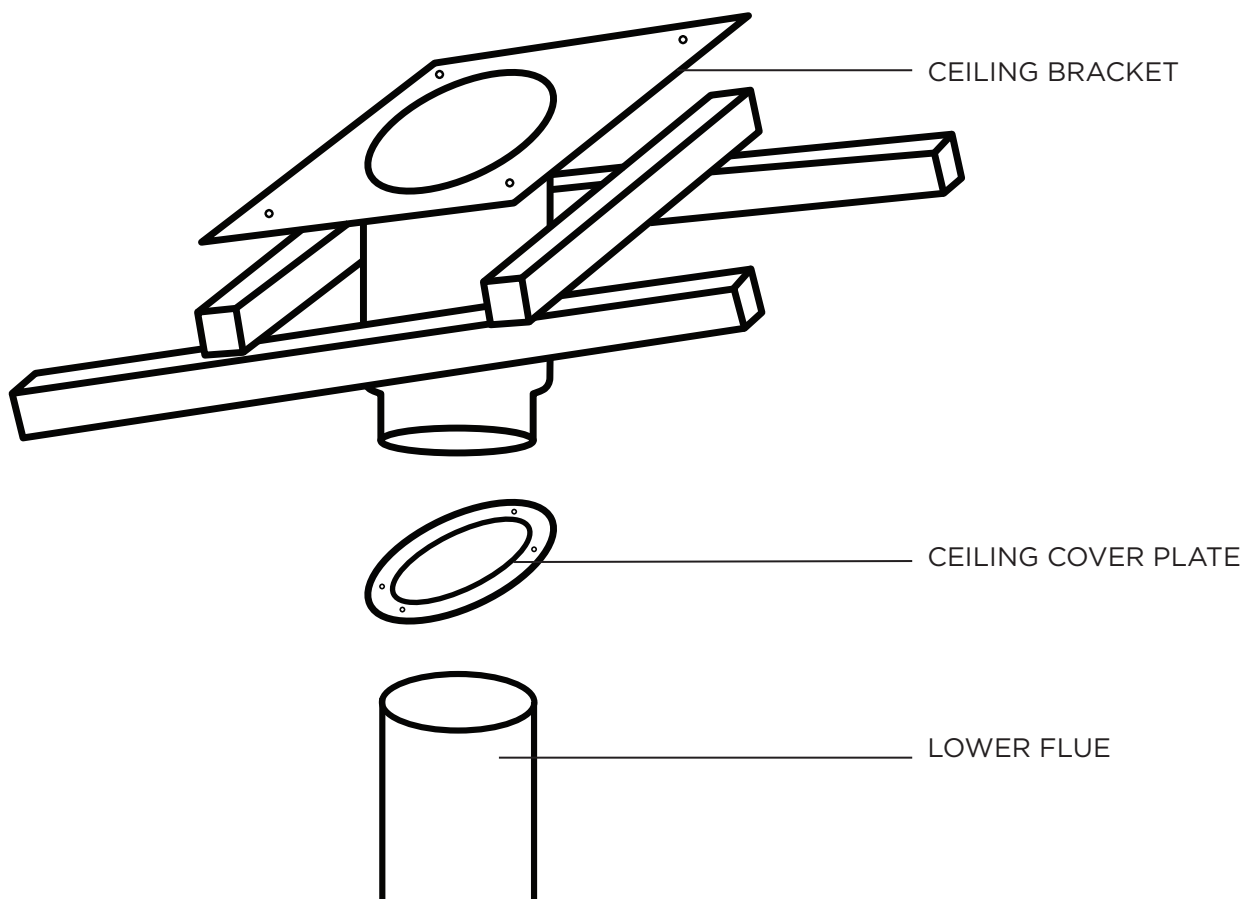
## » PITCHED CEILING INSTALLATION Custom Made

For pitched ceilings we have 5 bracket sizes which your installer will adjust to achieve the exact angle for your installation.

- Up to a 5 degree pitch = Flat bracket
- 5 to 15 degree pitch = 10 degree bracket
- 15 to 25 degree pitch = 20 degree bracket
- 25 to 35 degree pitch = 30 degree bracket
- 35 to 45 degree pitch = 40 degree bracket

A custom bracket is available for anything larger than a 45 degree pitch. When installing the bracket, it is very important that the bracket is sitting plumb.

The installer may need to chock up one side of the bracket, with non combustible material i.e. cement sheet.



# LOWER FLUE

---

## LOWER FLUE LENGTHS

We supply the lower flue in the standard sizes listed below. The extra length will be pushed up into the ceiling bracket, enabling you to set the correct distance from the hood to the base.

## FLUE LENGTHS

1.6m	2.5m
1.8m	2.75m
2.0m	3.0m
2.25m	

▶ Sizes above 3m will come in two pieces, with an internal joiner.

## INSTALLING A TWO PIECE LOWER FLUE

Lower flues over 3 metres are supplied in two parts and are joined internally with a flue connector. This assists installers in achieving a safe and successful installation.

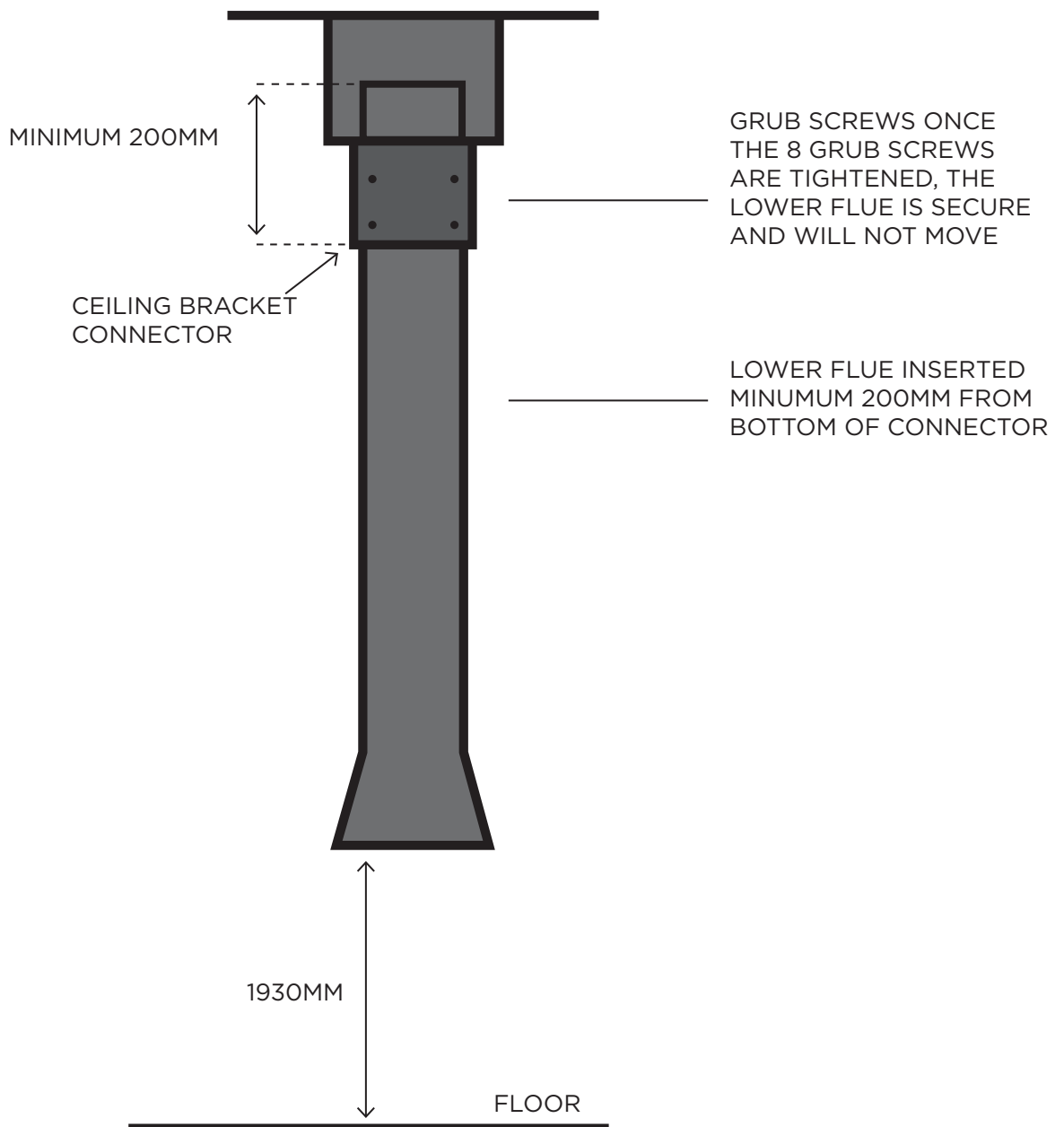
**Do not attempt to join these prior to attaching to the suspension bracket.**

1. Attach the upper piece to the suspension bracket first.
2. When this is in place attach the lower part.

## INSTALLING THE INTERNAL LOWER FLUE

The lower active flue is delivered with additional length to allow for small changes to set the correct hood height.

1. First position the lower flue inside the suspension bracket 1930mm from the floor. Ensure the seam of the flue is to the back
2. Once the 1930mm height is achieved tighten the 8 grub screws. Use a level to ensure that the flue is perfectly vertical.

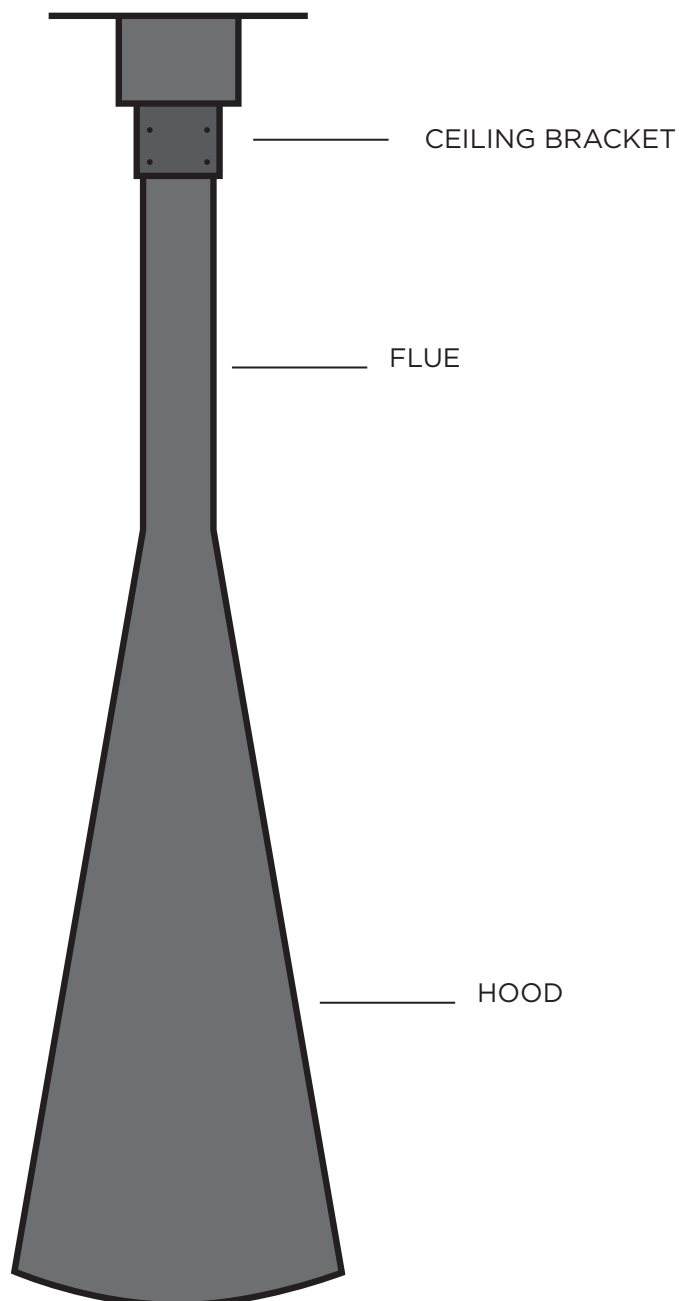


# HOOD

---

## INSTALLING THE HOOD

1. Once the lower active flue is secured in place lift the Hood into position and line up the bolt holes. The seam of the hood to be at the rear.
2. Fit all bolts into the holes before tightening.

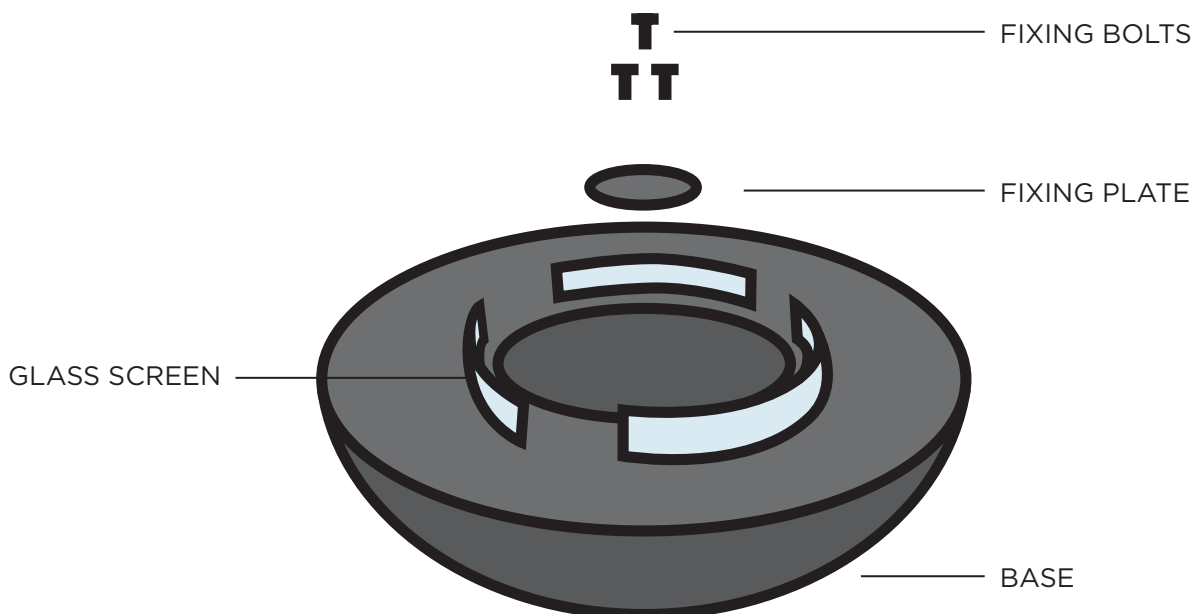


# ZENTAI BASE

---

The Zentai base must be secured to the floor using the circular plate and bolts provided. Ensure the base is positioned in the centre beneath the hood.

Once the base is fixed to the floor, position the AB8 burner into the centre of the base and install the glass protection screen.



# BIOETHANOL FIREPLACE

---

The Zentai fireplace is fitted with an EcoSmart AB8 burner which uses bioethanol fuel.

As bioethanol gives off nothing but water vapour there is no need for an external flue. The lower active flue will be blanked inside.

# FOR INSTALLERS

---

## CLEANING UP

If the fire paint has accumulated dust, fingerprints or other residue during installation Wipe the firebox and lower flue down with a little water and a scratch free glass polishing cloth. Use a light spray of WINDEX if required.

DO NOT RUB THE PAINT. A LIGHT PRESSURE IS ALL THAT IS NEEDED.

## HANDING OVER CHECKLIST

- Read the Users instructions and instruct the user on the operation of the fireplace and cleaning methods. Leave instructions with the customer.
- Inform the customer that any odours are due to the newness of materials and will disperse after the initial burn.
- Advise the customer on the importance of an adequate air supply.



# INSTALLATION CHECKLIST

---

## INSTALLATION MUST TAKE PLACE IN THE FOLLOWING ORDER

- Suspension bracket installed plumb and clear of combustibles. Dropbox to protrude minimum 25mm below ceiling. More than 25mm should only be used if the roof space prohibits a 25mm drop.
- 25mm minimum clearance from the ceiling bracket to any combustible material within the roof space.
- 25mm clearance gap between the bracket and the ceiling. This gap will be covered by the ceiling cover plate.
- Lower flue installed 1930mm from the floor.
- Grub screws tightened.
- Hood lifted into position evenly, all bolts installed and tightened.
- Base secured to the floor glass screen installed

### IMPORTANT

This must be ticked and signed by the person who installs your fire and returned to aurora suspended fires following installation for any warranty claims to be honoured.

NAME

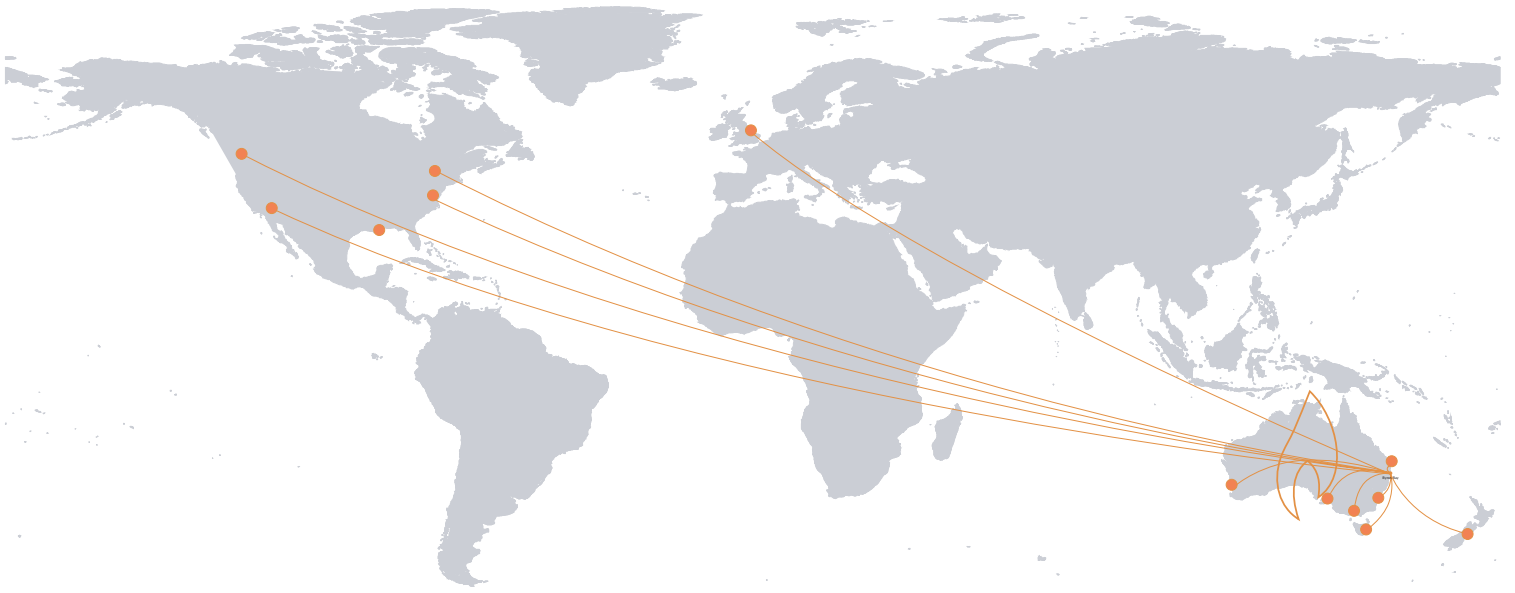
---

SIGNATURE

---

DATE

---



# Aurora

65B Piper Drive, Ballina NSW 2478 Australia

[www.aurorasuspendedfires.com](http://www.aurorasuspendedfires.com)

